



Follow all instructions and warnings for inspecting, maintaining and operating this trolley.

The use of any trolley presents some risk of personal injury or property damage. That risk is greatly increased if proper instructions and warnings are not followed. Before using this trolley, each operator should become thoroughly familiar with all warnings, instructions, and recommendations in this manual. Retain this manual for future reference and use.

Forward this manual to the trolley operator. Failure to operate the equipment as directed in the manual may cause injury. Should you have any questions regarding this product, please call Coffing Hoists at (800) 477-5003.

INSTALLATION

GENERAL INFORMATION

The Coffing CT-A Series Trolleys are designed for use with loads up to 3 tons. Dual-tread wheels allow the trolley to be mounted on American Standard Beams (tapered flange) or Wide Flange Beams (flat flange) with a flange width of 3.33" to 7.00". Each CT-A Series Trolley includes safety lugs and four-inch diameter, machined wheels. The hoisting equipment described in these instructions is intended for industrial use only and **should not be used to lift, support or otherwise transport people.**

LOAD RATINGS

Before installing, make certain the capacity of the hoist does not exceed the capacity of the trolley and the supporting structure is capable of supporting the load, hoist and trolley with a generous factor for safety.

TROLLEY ADJUSTMENT

The trolley can be adjusted by moving washers to achieve a beam to wheel flange spacing of approximately 3/32" (Figure 1, Detail A). See Figure 3 for placement of washers per beam size.

CURVED BEAM TROLLEY ADJUSTMENT

CT-A Series Trolleys can be mounted on curved beams with radii as small as four feet. Slightly increased spacing may be required to maintain freedom of movement. The amount of additional spacing required will depend on the radius of the beam.

AVAILABLE OPTIONS

Consult factory for options such as patented-track wheels, wider flange width applications, etc.

MAINTENANCE

PERIODIC INSPECTION

The trolley should be inspected periodically for evidence of excess wear or overload and its continued ability to support the load. The frequency of inspection will depend on the severity of trolley use. It is recommended that the user begin with a monthly inspection and extend periods to quarterly, semi-annually or annually based on monthly experience. **Any worn parts should be replaced immediately.**

INSPECTION ITEMS

The trolley should be visually inspected for the following conditions; loose locknuts, sideplate damage or bending, clevis wear, cracks or distortion, wheel wear or cracks, and worn bearings.

LUBRICATION

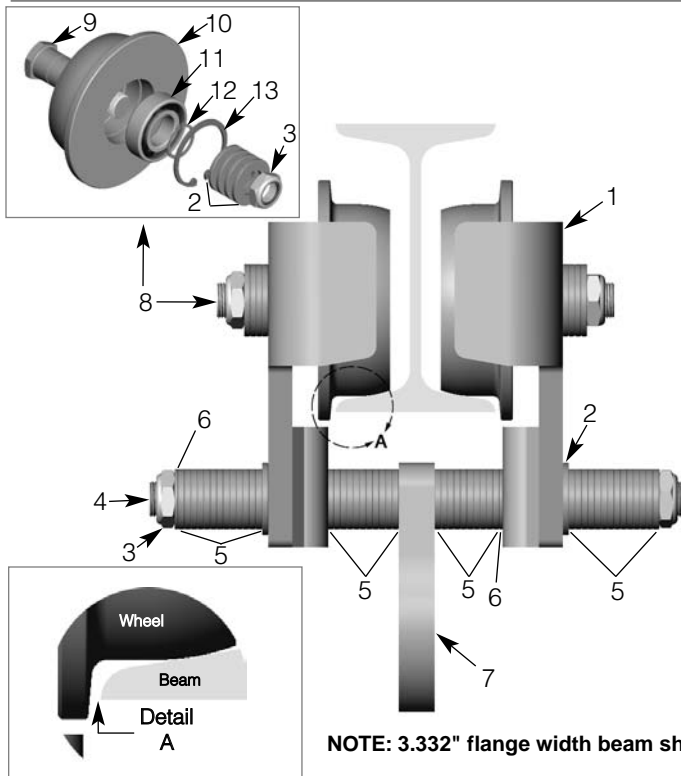
Trolley wheels are equipped with sealed, lifetime-lubricated, precision ball bearings which should not require relubrication for the normal service of the trolley.

Coffing Hoists • Country Club Road • P.O. Box 779 •
Wadesboro, North Carolina 28170 USA
Tel: 800.477.5003 • **Fax:** 800.374.6853 • 704.694.6829
www.coffinghoists.com

COFFING®

HOISTS

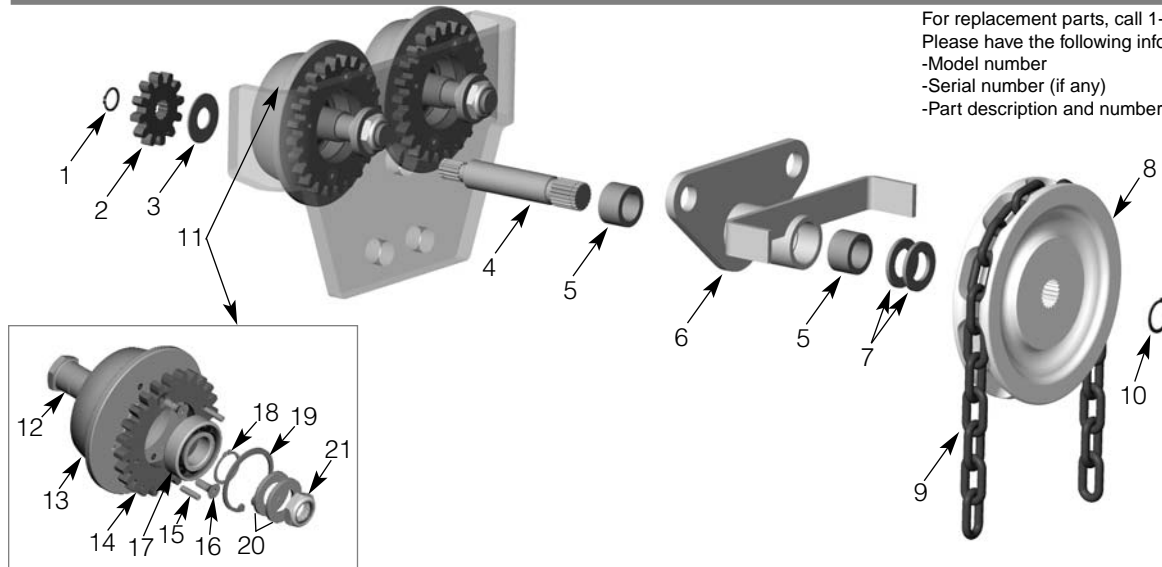
Figure 1 - CT-A Series Complete Plain Trolley



| Ref No. | Description | Part No. | Qty. |
|---------|----------------------|-----------|------|
| 1 | Sideplate | 5K101 | 2 |
| 2 | Washer (.125" Thick) | H4211 | 20 |
| 3 | Nut | H3945 | 8 |
| 4 | Load Pin | 103K30-2 | 2 |
| 5 | Washer (.135" Thick) | H4209 | 96 |
| 6 | Washer (.075" Thick) | H4210 | 4 |
| 7 | Clevis | 50K1 | 1 |
| 8 | Plain Wheel Assembly | 45JG1P | 4 |
| 9 | Axle | 102K11 | 4 |
| 10 | Plain Wheel | 45J1P | 4 |
| 11 | Ball Bearing | JF504-2 | 4 |
| 12 | Retaining Ring | H5549 | 4 |
| 13 | Retaining Ring | SK2658-6W | 4 |

NOTE: 3.332" flange width beam shown.

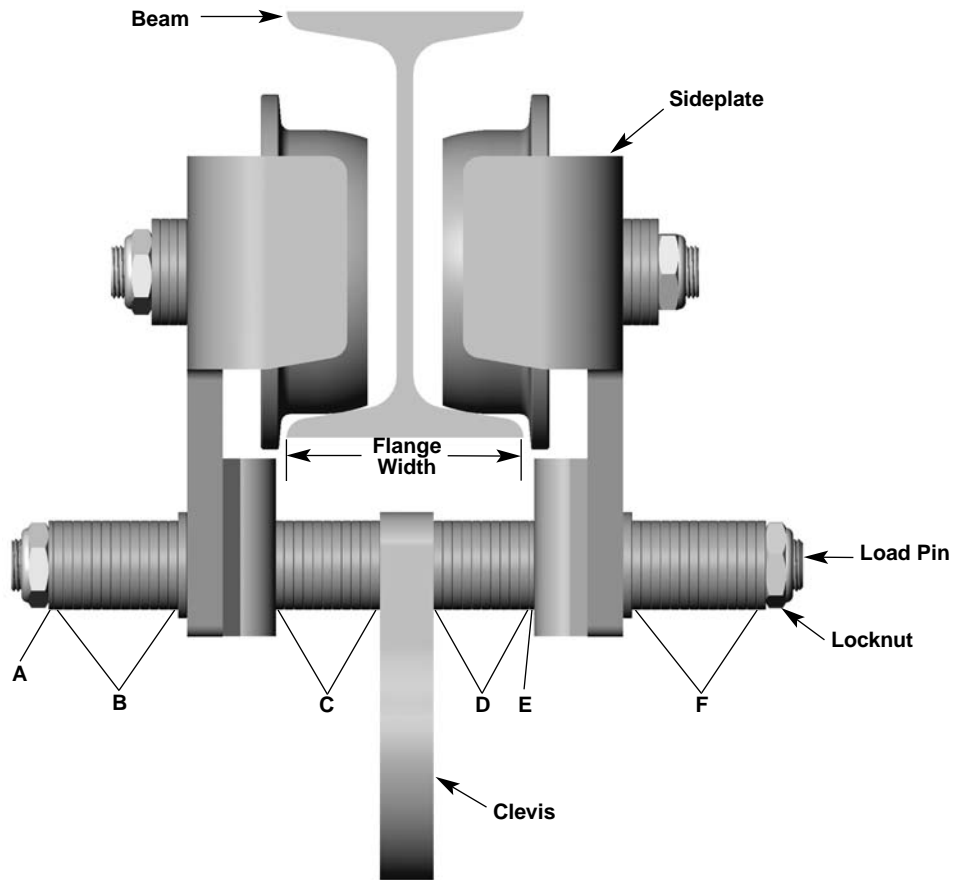
Figure 2 - CT-A Series Geared Trolley



For replacement parts, call 1-800-477-5003
Please have the following information ready:
-Model number
-Serial number (if any)
-Part description and number as shown in parts list

| Ref No. | Description | Part No. | Qty. | Ref No. | Description | Part No. | Qty. |
|---------|------------------------------|----------|------|---------|----------------------|-----------|------|
| 1 | Retaining Ring | H5501 | 1 | 12 | Axle | 102K11 | 2 |
| 2 | Pinion | 420K1 | 1 | 13 | Geared Wheel | 45J1G | 2 |
| 3 | Thrust Bearing (.063" Thick) | 525K2 | 1 | 14 | Gear | 420K2 | 2 |
| 4 | Gear Shaft | 100K14-2 | 1 | 15 | Pin | H5331 | 4 |
| 5 | Sleeve Bushing | 530K6 | 2 | 16 | Screw | H2165 | 4 |
| 6 | Sleeve and Adapter Assembly | 51KG1-3 | 1 | 17 | Ball Bearing | JF504-2 | 2 |
| 7 | Thrust Bearing (.125" Thick) | 525K1 | 2 | 18 | Retaining Ring | H5549 | 2 |
| 8 | Hand Chain Wheel | 33K23 | 1 | 19 | Retaining Ring | SK2658-6W | 2 |
| 9 | Hand Chain (Specify Length) | 53A | 1 | 20 | Washer (.125" Thick) | H4211 | 4 |
| 10 | Retaining Ring | H5527 | 1 | 21 | Nut | H3945 | 2 |
| 11 | Geared Wheel Assembly | 45JG1G-1 | 2 | | | | |

Figure 3 - Washer Chart



| STANDARD BEAM Size & Weight | Flange Width | Location A H4210 (Thin) | Location B H4209 (Thick) | Location C H4209 (Thick) | Location D H4209 (Thick) | Location E H4210 (Thin) | Location F H4209 (Thick) |
|-----------------------------|--------------|-------------------------|--------------------------|--------------------------|--------------------------|-------------------------|--------------------------|
| 6" x 12.5# | 3.332 | 1 | 13 | 11 | 10 | 1 | 14 |
| 6" x 17.3# | 3.565 | 2 | 12 | 12 | 11 | 0 | 13 |
| 7" x 15.3# | 3.662 | 0 | 12 | 12 | 11 | 2 | 13 |
| 7" x 20.0# | 3.860 | 1 | 11 | 13 | 12 | 1 | 12 |
| 8" x 18.4# | 4.001 | 1 | 11 | 13 | 13 | 1 | 11 |
| 8" x 23.0# | 4.171 | 1 | 10 | 14 | 13 | 1 | 11 |
| 10" x 25.4# | 4.661 | 1 | 8 | 16 | 15 | 1 | 9 |
| 10" x 35.0# | 4.944 | 1 | 7 | 17 | 16 | 1 | 8 |
| 12" x 31.8# | 5.000 | 0 | 7 | 17 | 16 | 2 | 8 |
| 12" x 35.0# | 5.078 | 1 | 7 | 17 | 17 | 1 | 7 |
| 12" x 40.8# | 5.252 | 1 | 6 | 18 | 17 | 1 | 7 |
| 12" x 50.0# | 5.477 | 1 | 5 | 19 | 18 | 1 | 6 |
| 15" x 42.9# | 5.501 | 1 | 5 | 19 | 18 | 1 | 6 |
| 15" x 50.0# | 5.640 | 1 | 5 | 19 | 19 | 1 | 5 |
| 18" x 54.7# | 6.001 | 1 | 3 | 21 | 20 | 1 | 4 |
| 18" x 70.0# | 6.251 | 2 | 2 | 22 | 21 | 0 | 3 |
| 20" x 66.0# | 6.255 | 2 | 2 | 22 | 21 | 0 | 3 |
| 24" x 80.0# | 7.000 | 1 | 0 | 24 | 24 | 1 | 0 |

| WIDE FLANGE BEAM Size & Weight | Flange Width | Location A H4210 (Thin) | Location B H4209 (Thick) | Location C H4209 (Thick) | Location D H4209 (Thick) | Location E H4210 (Thin) | Location F H4209 (Thick) |
|--------------------------------------|-----------------|-------------------------------|--------------------------------|--------------------------------|--------------------------------|-------------------------------|--------------------------------|
| 5" x 16.0# | 5.000 | 0 | 7 | 17 | 16 | 2 | 8 |
| 5" x 19.0# | 5.030 | 1 | 7 | 17 | 17 | 1 | 7 |
| 6" x 9.0# | 3.940 | 1 | 11 | 13 | 13 | 1 | 11 |
| 6" x 12.0# | 4.000 | 2 | 10 | 14 | 13 | 0 | 11 |
| 6" x 15.0# | 5.990 | 1 | 3 | 21 | 20 | 1 | 4 |
| 6" x 16.0# | 4.030 | 2 | 10 | 14 | 13 | 0 | 11 |
| 6" x 20.0# | 6.020 | 2 | 3 | 21 | 21 | 0 | 3 |
| 6" x 25.0# | 6.080 | 1 | 3 | 21 | 21 | 1 | 3 |
| 8" x 10.0# | 3.940 | 1 | 11 | 13 | 13 | 1 | 11 |
| 8" x 13.0# | 4.000 | 2 | 10 | 14 | 13 | 0 | 11 |
| 8" x 15.0# | 4.015 | 2 | 10 | 14 | 13 | 0 | 11 |
| 8" x 18.0# | 5.250 | 2 | 6 | 18 | 18 | 0 | 6 |
| 8" x 21.0# | 5.270 | 1 | 6 | 18 | 18 | 1 | 6 |
| 8" x 24.0# | 6.495 | 1 | 1 | 23 | 22 | 1 | 2 |
| 8" x 28.0# | 6.535 | 1 | 1 | 23 | 22 | 1 | 2 |
| 10" x 12.0# | 3.960 | 1 | 11 | 13 | 13 | 1 | 11 |
| 10" x 15.0# | 4.000 | 2 | 10 | 14 | 13 | 0 | 11 |
| 10" x 17.0# | 4.010 | 2 | 10 | 14 | 13 | 0 | 11 |
| 10" x 19.0# | 4.020 | 2 | 10 | 14 | 13 | 0 | 11 |
| 10" x 22.0# | 5.750 | 2 | 4 | 20 | 20 | 0 | 4 |
| 10" x 26.0# | 5.770 | 2 | 4 | 20 | 20 | 0 | 4 |
| 10" x 30.0# | 5.810 | 1 | 4 | 20 | 20 | 1 | 4 |
| 12" x 14.0# | 3.970 | 1 | 11 | 13 | 13 | 1 | 11 |
| 12" x 16.0# | 3.990 | 2 | 10 | 14 | 13 | 0 | 11 |
| 12" x 19.0# | 4.005 | 2 | 10 | 14 | 13 | 0 | 11 |
| 12" x 22.0# | 4.030 | 2 | 10 | 14 | 13 | 0 | 11 |
| 12" x 26.0# | 6.490 | 1 | 1 | 23 | 22 | 1 | 2 |
| 12" x 30.0# | 6.520 | 1 | 1 | 23 | 22 | 1 | 2 |
| 12" x 35.0# | 6.560 | 2 | 1 | 23 | 23 | 0 | 1 |
| 14" x 22.0# | 5.000 | 1 | 7 | 17 | 17 | 1 | 7 |
| 14" x 26.0# | 5.025 | 1 | 7 | 17 | 17 | 1 | 7 |
| 14" x 30.0# | 6.730 | 0 | 1 | 23 | 23 | 2 | 1 |
| 14" x 34.0# | 6.745 | 0 | 1 | 23 | 23 | 2 | 1 |
| 14" x 38.0# | 6.770 | 1 | 0 | 24 | 23 | 1 | 1 |
| 16" x 26.0# | 5.500 | 2 | 5 | 19 | 19 | 0 | 5 |
| 16" x 31.0# | 5.525 | 0 | 5 | 19 | 18 | 2 | 6 |
| 16" x 36.0# | 6.985 | 0 | 0 | 24 | 24 | 2 | 0 |
| 16" x 40.0# | 6.995 | 0 | 0 | 24 | 24 | 2 | 0 |
| 18" x 35.0# | 6.000 | 1 | 3 | 21 | 20 | 1 | 4 |
| 18" x 40.0# | 6.015 | 2 | 3 | 21 | 21 | 0 | 3 |
| 18" x 46.0# | 6.060 | 0 | 3 | 21 | 20 | 2 | 4 |
| 21" x 44.0# | 6.500 | 1 | 1 | 23 | 22 | 1 | 2 |
| 21" x 50.0# | 6.530 | 1 | 1 | 23 | 22 | 1 | 2 |
| 21" x 57.0# | 6.555 | 2 | 1 | 23 | 23 | 0 | 1 |
| 24" x 55.0# | 7.005 | 0 | 0 | 24 | 24 | 2 | 0 |

Operating, Maintenance & Parts Manual

CT-A SERIES

(8-WHEEL 4 - 5 TON MODELS)



Follow all instructions and warnings for inspecting, maintaining and operating this trolley.

The use of any trolley presents some risk of personal injury or property damage. That risk is greatly increased if proper instructions and warnings are not followed. Before using this trolley, each operator should become thoroughly familiar with all warnings, instructions, and recommendations in this manual. Retain this manual for future reference and use.

Forward this manual to the trolley operator. Failure to operate the equipment as directed in the manual may cause injury. Should you have any questions regarding this product, please call Coffing Hoists at (800) 477-5003.

INSTALLATION

GENERAL INFORMATION

The Coffing CT-A Series Trolleys are designed for use with loads up to 5 tons. Dual-tread wheels allow the trolley to be mounted on American Standard Beams (tapered flange) or Wide Flange Beams (flat flange) with a flange width of 3.86" to 7.00". Each CT-A Series Trolley includes safety lugs and four-inch diameter, machined wheels. The hoisting equipment described in these instructions is intended for industrial use only and **should not be used to lift, support or otherwise transport people.**

LOAD RATINGS

Before installing, make certain the capacity of the hoist does not exceed the rated load of the trolley and the supporting structure is capable of supporting the weight of the load, hoist and trolley with a generous factor for safety.

TROLLEY ADJUSTMENT

The trolley can be adjusted by moving washers to achieve a beam to wheel flange spacing of approximately 3/32" (Figure 1, Detail A). See Figure 3 for placement of washers per beam size.

AVAILABLE OPTIONS

Consult factory for options such as articulating trolley, patented-track wheels, wider flange width applications, etc.

MAINTENANCE

PERIODIC INSPECTION

The trolley should be inspected periodically for evidence of excess wear or overload and its continued ability to support the load. The frequency of inspection will depend on the severity of trolley use. It is recommended that the user begin with a monthly inspection and extend periods to quarterly, semi-annually or annually based on monthly experience. **Any worn parts should be replaced immediately.**

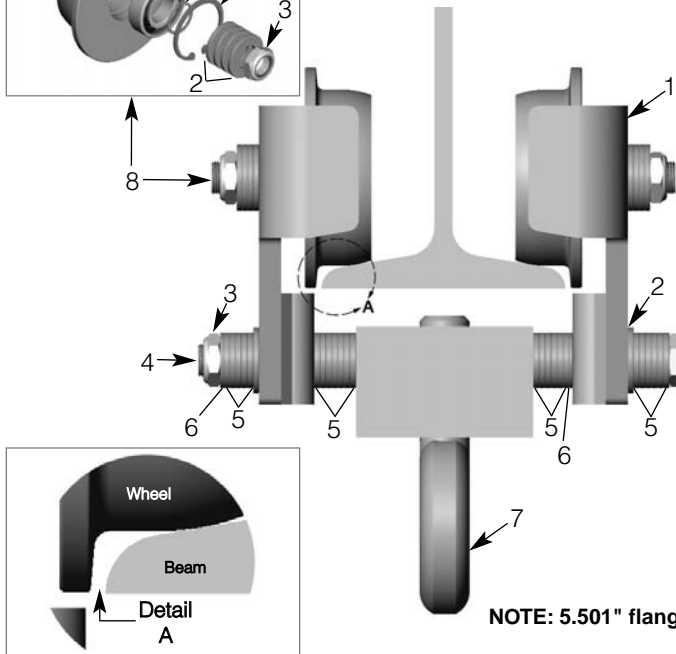
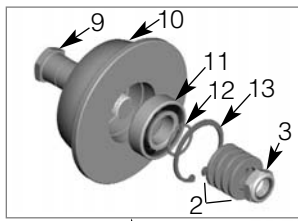
INSPECTION ITEMS

The trolley should be visually inspected for the following conditions; loose locknuts, sideplate damage or bending, clevis wear, cracks or distortion, wheel wear or cracks, and worn bearings.

LUBRICATION

Trolley wheels are equipped with sealed, lifetime-lubricated, precision ball bearings which should not require relubrication for the normal service of the trolley.

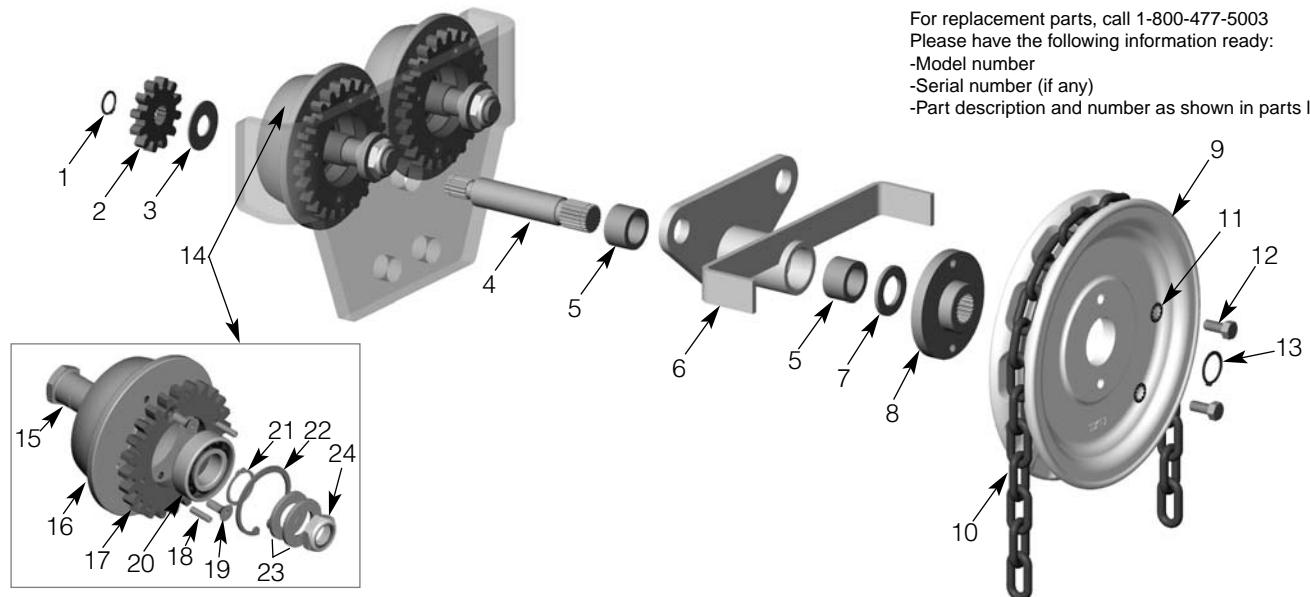
Figure 1 - CT-A Series Plain Trolley



NOTE: 5.501" flange width beam shown.

| Ref No. | Description | Part No. | Qty. |
|---------|----------------------|-----------|------|
| 1 | Sideplate | 5K101 | 4 |
| 2 | Washer (.125" Thick) | H4211 | 40 |
| 3 | Nut | H3945 | 16 |
| 4 | Load Pin | 103K30-2 | 4 |
| 5 | Washer (.135" Thick) | H4209 | 96 |
| 6 | Washer (.075" Thick) | H4210 | 8 |
| 7 | Yoke Assembly | 50KG50 | 2 |
| 8 | Plain Wheel Assembly | 45JG1P | 8 |
| 9 | Axle | 102K11 | 8 |
| 10 | Wheel | 45J1P | 8 |
| 11 | Ball Bearing | JF504-2 | 8 |
| 12 | Retaining Ring | H5549 | 8 |
| 13 | Retaining Ring | SK2658-6W | 8 |

Figure 2 - CT-A Series Geared Trolley

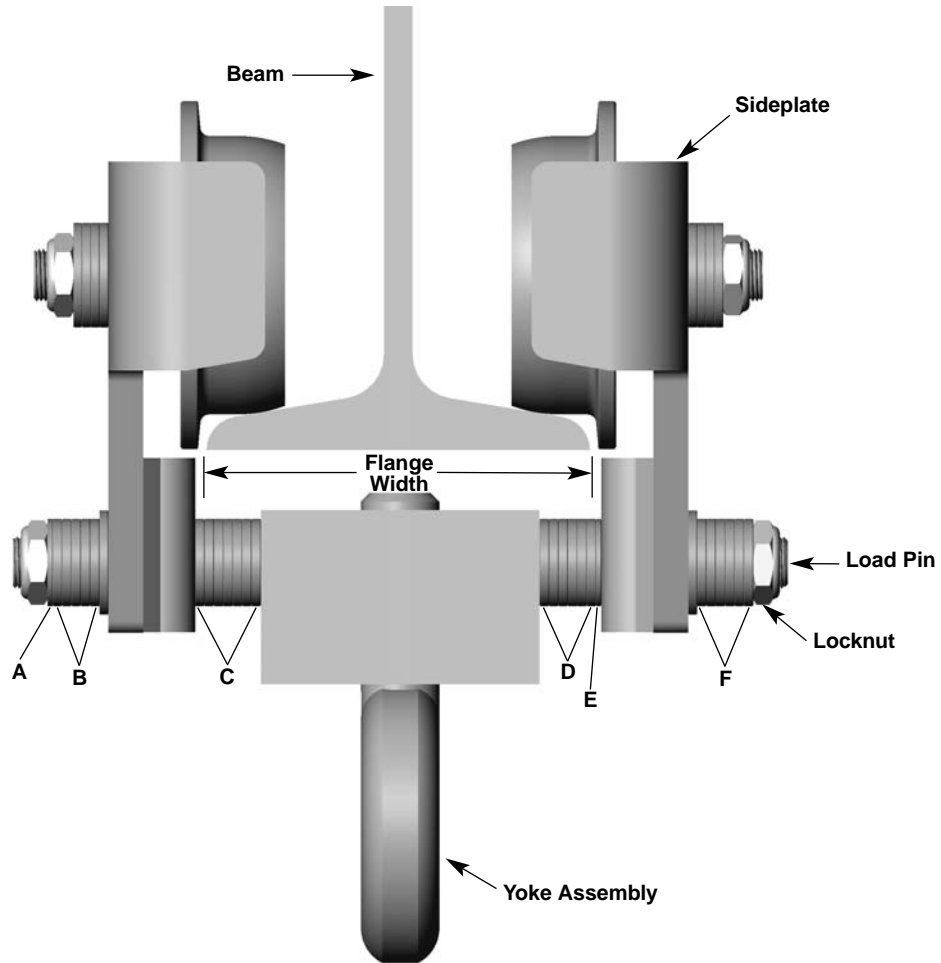


For replacement parts, call 1-800-477-5003
Please have the following information ready:
-Model number
-Serial number (if any)
-Part description and number as shown in parts list

| Ref No. | Description | Part No. | Qty. |
|---------|------------------------------|----------|------|
| 1 | Retaining Ring | H5501 | 1 |
| 2 | Pinion | 420K1 | 1 |
| 3 | Thrust Bearing (.063" Thick) | 525K2 | 1 |
| 4 | Gear Shaft | 100K14-2 | 1 |
| 5 | Sleeve Bushing | 530K6 | 2 |
| 6 | Sleeve and Adapter Assembly | 51KG2-3 | 1 |
| 7 | Thrust Bearing (.125" Thick) | 525K1 | 1 |
| 8 | Hub Adapter | 51K4 | 1 |
| 9 | Hand Chain Wheel | 33K13 | 1 |
| 10 | Hand Chain (Specify Length) | 53A | 1 |
| 11 | Washer | H4138 | 2 |
| 12 | Bolt | H2304 | 2 |

| Ref No. | Description | Part No. | Qty. |
|---------|-----------------------|-----------|------|
| 13 | Retaining Ring | H5527 | 1 |
| 14 | Geared Wheel Assembly | 45JG1G-1 | 2 |
| 15 | Axle | 102K11 | 1 |
| 16 | Geared Wheel | 45J1G | 2 |
| 17 | Gear | 420K2 | 1 |
| 18 | Pin | H5331 | 2 |
| 19 | Screw | H2165 | 2 |
| 20 | Bearing | JF504-2 | 1 |
| 21 | Retaining Ring | H5549 | 1 |
| 22 | Retaining Ring | SK2658-6W | 1 |
| 23 | Flat Washer | H4211 | 2 |
| 24 | Nut | H3945 | 1 |

Figure 3 - Washer Chart



| STANDARD BEAM Size & Weight | Flange Width | Location A H4210 (Thin) | Location B H4209 (Thick) | Location C H4209 (Thick) | Location D H4209 (Thick) | Location E H4210 (Thin) | Location F H4209 (Thick) |
|-----------------------------|--------------|-------------------------|--------------------------|--------------------------|--------------------------|-------------------------|--------------------------|
| 7" x 20.0# | 3.860 | 0 | 12 | 0 | 0 | 2 | 12 |
| 8" x 18.4# | 4.001 | 0 | 11 | 1 | 0 | 2 | 12 |
| 8" x 23.0# | 4.171 | 1 | 10 | 2 | 1 | 1 | 11 |
| 10" x 25.4# | 4.661 | 0 | 9 | 3 | 3 | 2 | 9 |
| 10" x 35.0# | 4.944 | 0 | 8 | 4 | 4 | 2 | 8 |
| 12" x 31.8# | 5.000 | 1 | 7 | 5 | 4 | 1 | 8 |
| 12" x 35.0# | 5.078 | 0 | 7 | 5 | 4 | 2 | 8 |
| 12" x 40.8# | 5.252 | 1 | 6 | 6 | 5 | 1 | 7 |
| 12" x 50.0# | 5.477 | 0 | 6 | 6 | 6 | 2 | 6 |
| 15" x 42.9# | 5.501 | 1 | 5 | 7 | 6 | 1 | 6 |
| 15" x 50.0# | 5.640 | 1 | 5 | 7 | 7 | 1 | 5 |
| 18" x 54.7# | 6.001 | 0 | 4 | 8 | 8 | 2 | 4 |
| 18" x 70.0# | 6.251 | 2 | 2 | 10 | 9 | 0 | 3 |
| 20" x 66.0# | 6.255 | 2 | 2 | 10 | 9 | 0 | 3 |
| 24" x 80.0# | 7.000 | 1 | 0 | 12 | 12 | 1 | 0 |

| WIDE FLANGE BEAM Size & Weight | Flange Width | Location A H4210 (Thin) | Location B H4209 (Thick) | Location C H4209 (Thick) | Location D H4209 (Thick) | Location E H4210 (Thin) | Location F H4209 (Thick) |
|--------------------------------------|-----------------|-------------------------------|--------------------------------|--------------------------------|--------------------------------|-------------------------------|--------------------------------|
| 5" x 16.0# | 5.000 | 0 | 7 | 5 | 4 | 2 | 8 |
| 5" x 19.0# | 5.030 | 1 | 7 | 5 | 5 | 1 | 7 |
| 6" x 9.0# | 3.940 | 0 | 11 | 1 | 0 | 2 | 12 |
| 6" x 12.0# | 4.000 | 1 | 11 | 1 | 1 | 1 | 11 |
| 6" x 15.0# | 5.990 | 1 | 3 | 9 | 8 | 1 | 4 |
| 6" x 16.0# | 4.030 | 2 | 10 | 2 | 1 | 0 | 11 |
| 6" x 20.0# | 6.020 | 1 | 3 | 9 | 8 | 1 | 4 |
| 6" x 25.0# | 6.080 | 0 | 3 | 9 | 8 | 2 | 4 |
| 8" x 10.0# | 3.940 | 0 | 11 | 1 | 0 | 2 | 12 |
| 8" x 13.0# | 4.000 | 1 | 11 | 1 | 1 | 1 | 11 |
| 8" x 15.0# | 4.015 | 2 | 10 | 2 | 1 | 0 | 11 |
| 8" x 18.0# | 5.250 | 2 | 6 | 6 | 6 | 0 | 6 |
| 8" x 21.0# | 5.270 | 2 | 6 | 6 | 6 | 0 | 6 |
| 8" x 24.0# | 6.495 | 0 | 2 | 10 | 10 | 2 | 2 |
| 8" x 28.0# | 6.535 | 1 | 1 | 11 | 10 | 1 | 2 |
| 10" x 12.0# | 3.960 | 1 | 11 | 1 | 1 | 1 | 11 |
| 10" x 15.0# | 4.000 | 1 | 11 | 1 | 1 | 1 | 11 |
| 10" x 17.0# | 4.010 | 2 | 10 | 2 | 1 | 0 | 11 |
| 10" x 19.0# | 4.020 | 2 | 10 | 2 | 1 | 0 | 11 |
| 10" x 22.0# | 5.750 | 1 | 4 | 8 | 7 | 1 | 5 |
| 10" x 26.0# | 5.770 | 2 | 4 | 8 | 8 | 0 | 4 |
| 10" x 30.0# | 5.810 | 0 | 4 | 8 | 7 | 2 | 5 |
| 12" x 14.0# | 3.970 | 1 | 11 | 1 | 1 | 1 | 11 |
| 12" x 16.0# | 3.990 | 1 | 11 | 1 | 1 | 1 | 11 |
| 12" x 19.0# | 4.005 | 1 | 11 | 1 | 1 | 1 | 11 |
| 12" x 22.0# | 4.030 | 2 | 10 | 2 | 1 | 0 | 11 |
| 12" x 26.0# | 6.490 | 0 | 2 | 10 | 10 | 2 | 2 |
| 12" x 30.0# | 6.520 | 1 | 1 | 11 | 10 | 1 | 2 |
| 12" x 35.0# | 6.560 | 1 | 1 | 11 | 10 | 1 | 2 |
| 14" x 22.0# | 5.000 | 0 | 7 | 5 | 4 | 2 | 8 |
| 14" x 26.0# | 5.025 | 0 | 7 | 5 | 4 | 2 | 8 |
| 14" x 30.0# | 6.730 | 2 | 0 | 12 | 11 | 0 | 1 |
| 14" x 34.0# | 6.745 | 2 | 0 | 12 | 11 | 0 | 1 |
| 14" x 38.0# | 6.770 | 0 | 1 | 11 | 11 | 2 | 1 |
| 16" x 26.0# | 5.500 | 2 | 5 | 7 | 7 | 0 | 5 |
| 16" x 31.0# | 5.525 | 2 | 5 | 7 | 7 | 0 | 5 |
| 16" x 36.0# | 6.985 | 0 | 0 | 12 | 12 | 2 | 0 |
| 16" x 40.0# | 6.995 | 0 | 0 | 12 | 12 | 2 | 0 |
| 18" x 35.0# | 6.000 | 1 | 3 | 9 | 8 | 1 | 4 |
| 18" x 40.0# | 6.015 | 1 | 3 | 9 | 8 | 1 | 4 |
| 18" x 46.0# | 6.060 | 2 | 3 | 9 | 9 | 0 | 3 |
| 21" x 44.0# | 6.500 | 0 | 2 | 10 | 10 | 2 | 2 |
| 21" x 50.0# | 6.530 | 1 | 1 | 11 | 10 | 1 | 2 |
| 21" x 57.0# | 6.555 | 1 | 1 | 11 | 10 | 1 | 2 |
| 24" x 55.0# | 7.005 | 0 | 0 | 12 | 12 | 2 | 0 |